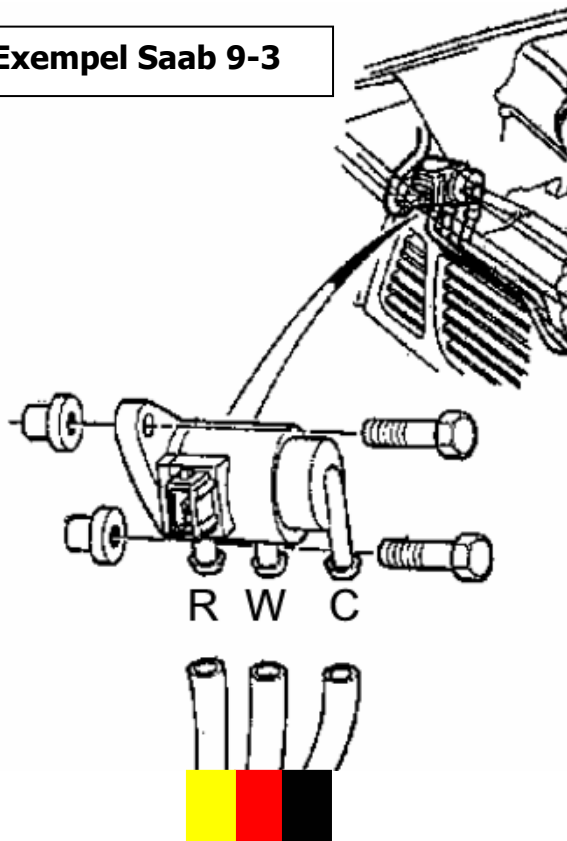


Exempel Saab 9-3



1. Demontera befintlig slang som sitter monterad mellan kompressorhuset och wastegaten

2. Montera slangarna enligt följande:

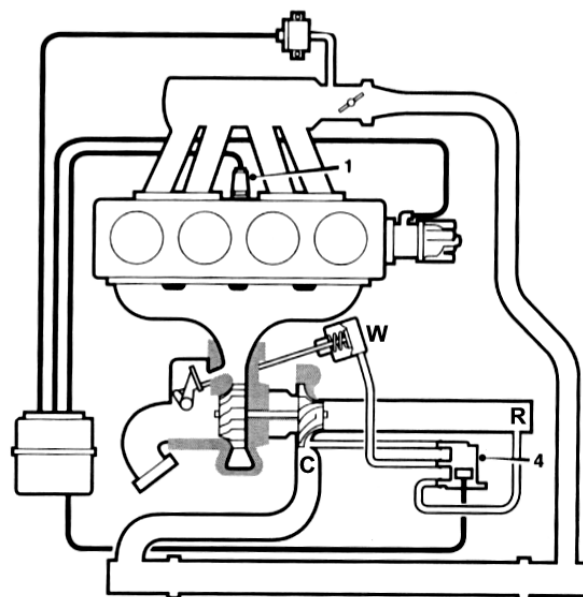
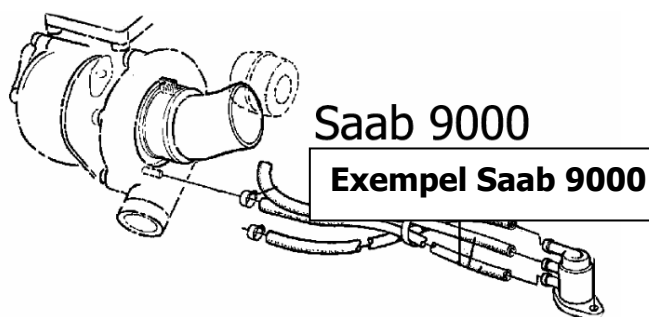
C, Skall monteras på turbons kompressordel

W, Skall monteras till wastegaten

R, Skall monteras på insugningsröret

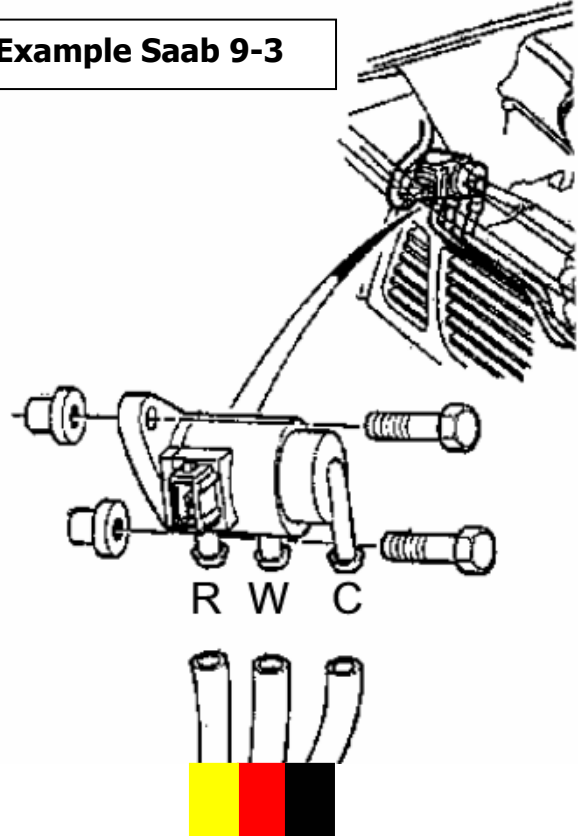
Montera kablar som finns fördragna




3. Skruva fast magnetventilen i befintliga hål i flätkåpan med gummimuttrar.



Instruction Magnetic turbo pressure valve

Example Saab 9-3



1. Remove the original hose that is mounted between the compressor and the waste gate.
2. Mount the hoses as follows:
 - C**, Mounted on the turbo compressor housing. 
 - W**, Mounted at the waste gate 
 - R**, Mounted on the turbo intake pipe 
3. Connect the wires to the magnetic valve that are already mounted.
4. Mount the magnetic valve in the holes in the fan cover with the well-nuts.

